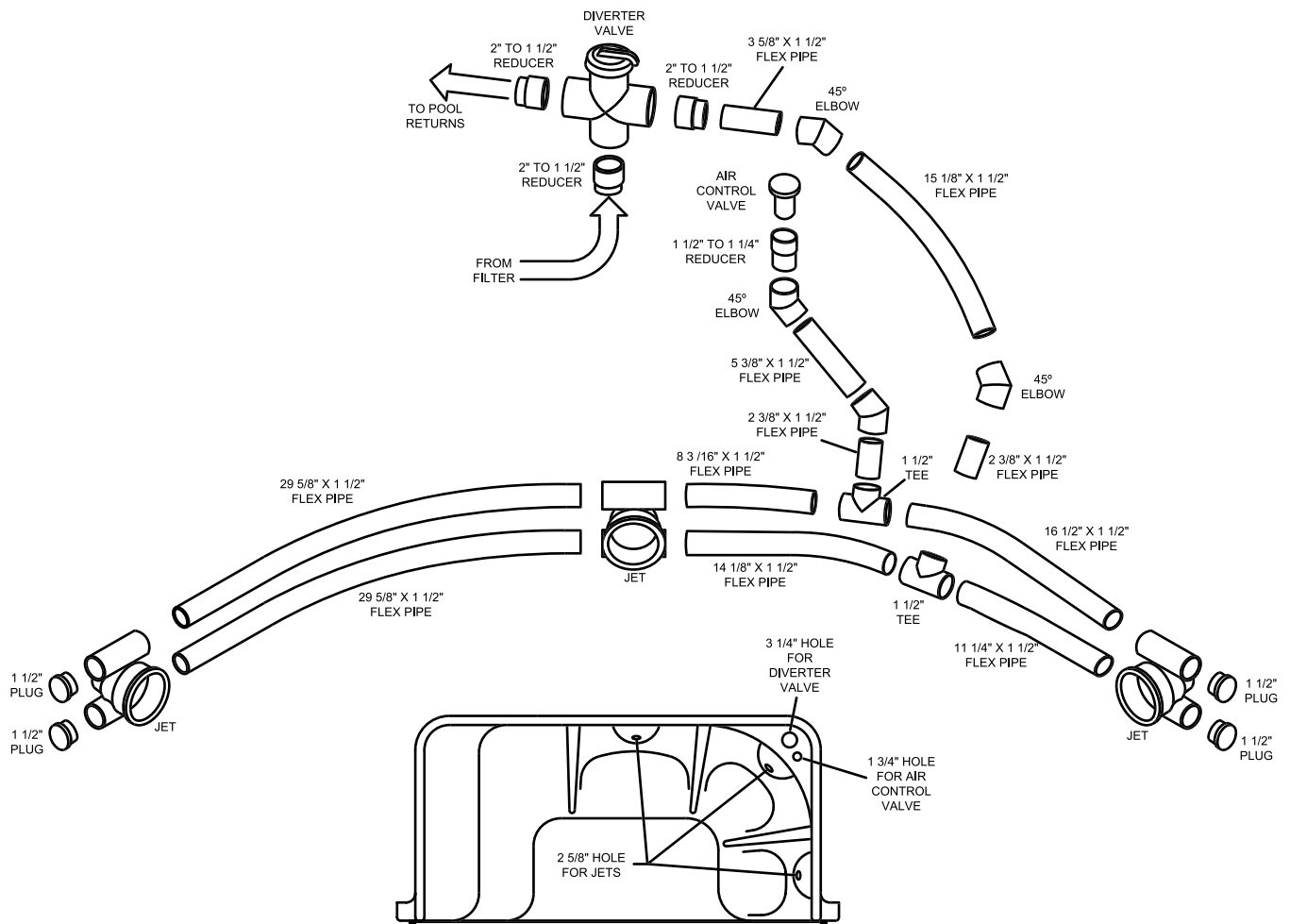
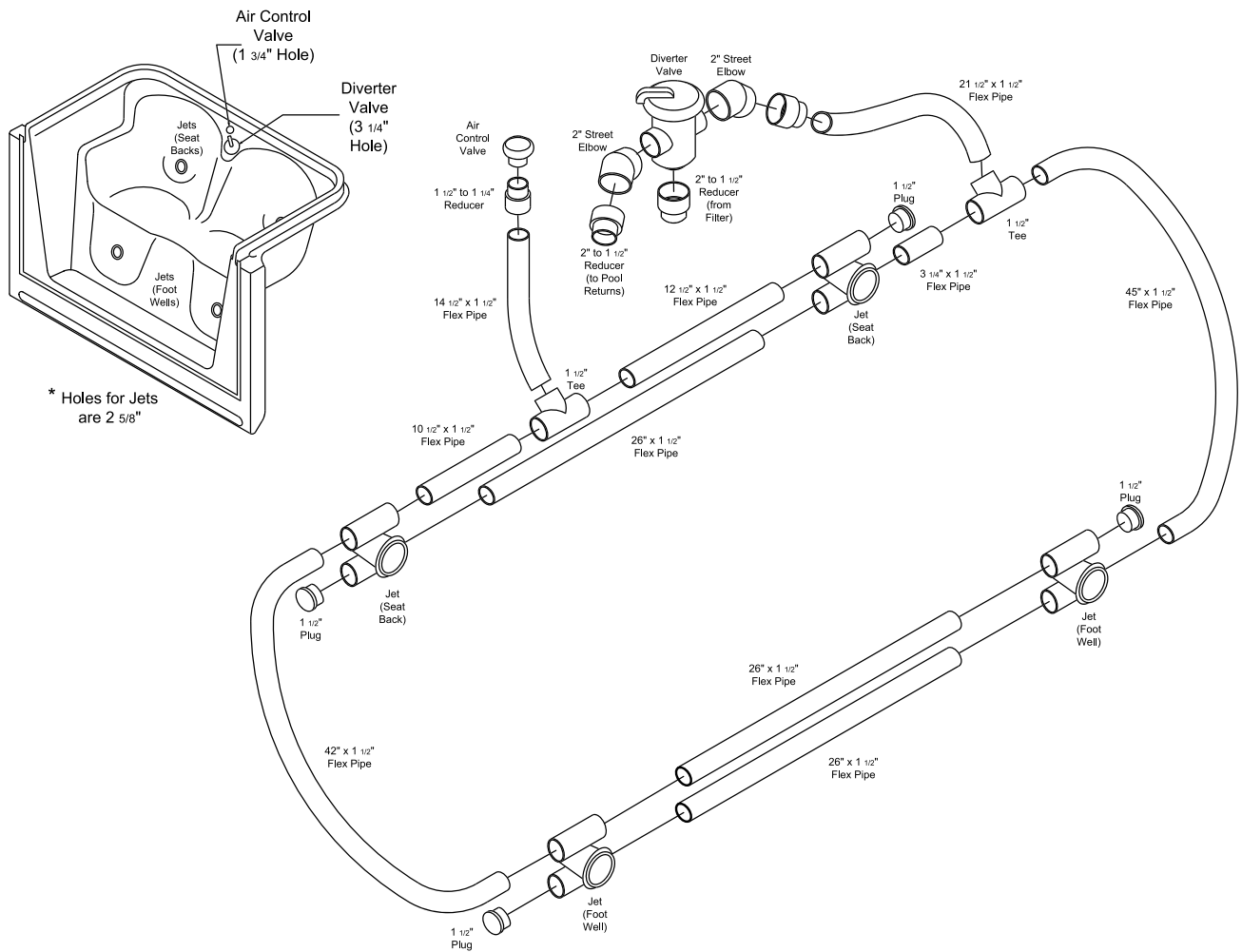


Suggested Plumbing for 8' Step-N-Spa (using 1 1/2" Flex Pipe)



Suggested Plumbing for 6' Lazy Lounge (using 1 1/2" Flex Pipe)



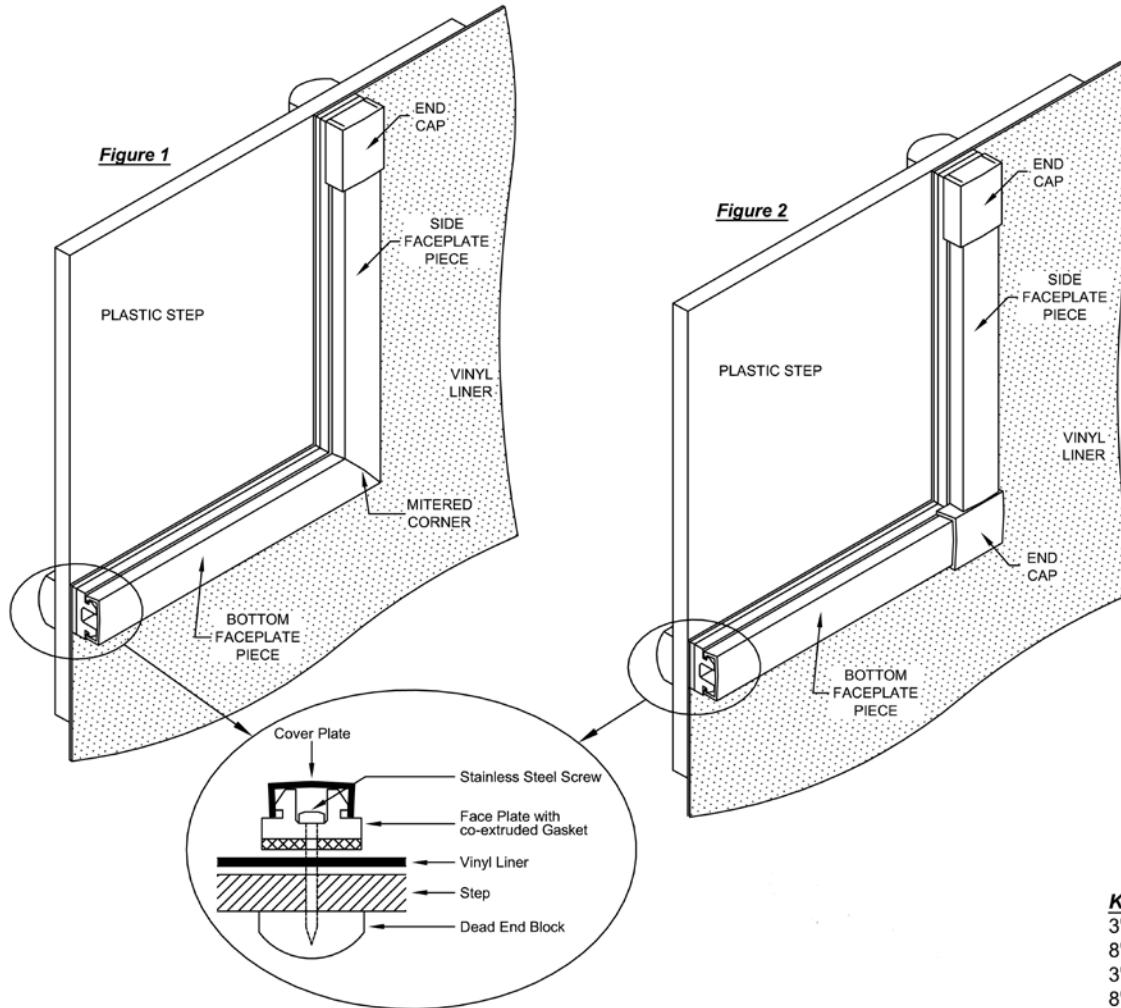


Attention Installer

33 Wade Road
Latham, NY 12110
800-444-9977



UNIVERSAL REPLACEMENT INSTRUCTIONS ALL NEW FACEPLATE SYSTEM WITH CO-EXTRUDED ATTACHED GASKET (PATENT PENDING)

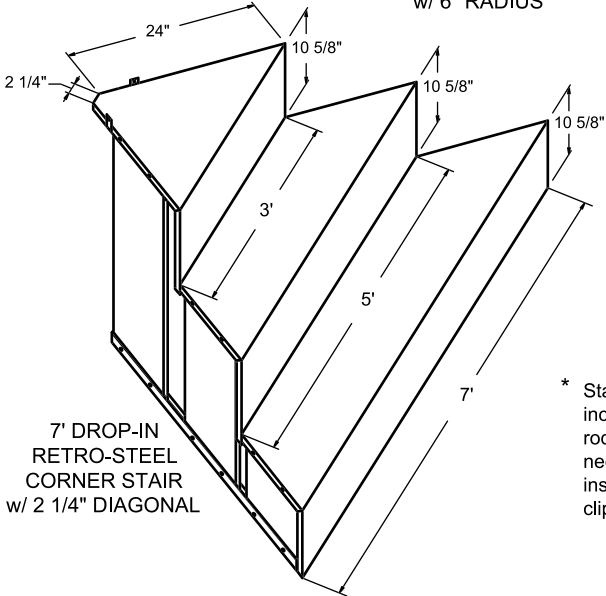
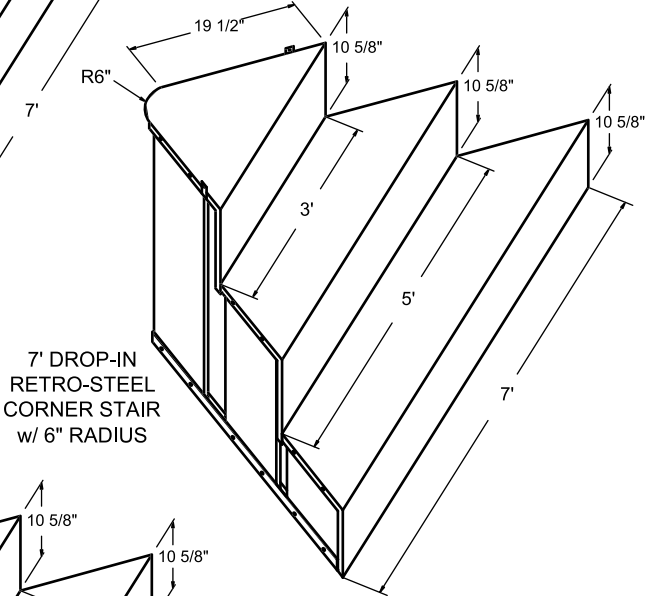
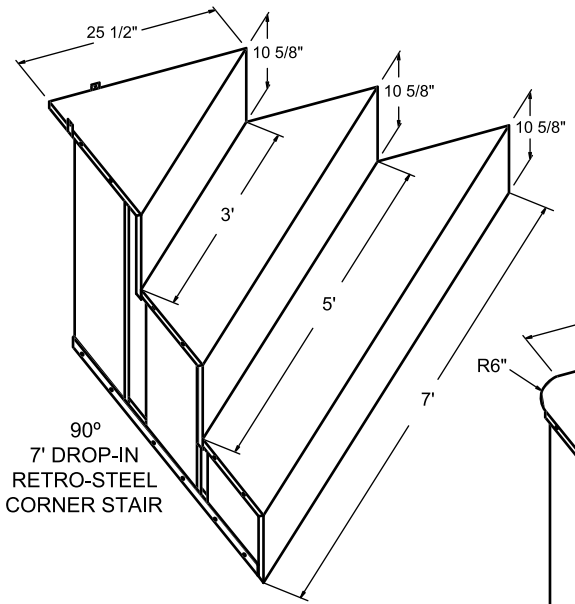


INSTALLATION NOTES:

- 1) This universal co-extruded faceplate and gasket system will work as a replacement for new & old style Saratoga steps as well as most other brands of plastic steps on the market.
- 2) Because you will need to match the replacement faceplate to the existing screw holes in the step, this co-extruded faceplate and gasket system comes with no holes pre-drilled. Use the old faceplates as a template for any holes or miter cuts needed to insure the new faceplate will match correctly.
- 3) If you need to miter the corners of the replacement faceplate to match the existing faceplate (as in Fig. 1), you will have two extra end caps with the kit. New style Saratoga steps will have end caps at either end of the bottom faceplate piece (as in Fig. 2).

KIT INCLUDES:	Quantity
3' co-extruded faceplate	----- 2
8' co-extruded faceplate	----- 1
3' white faceplate cover	----- 2
8' white faceplate cover	----- 1
white faceplate end caps	----- 4
SS Phillips head screws	----- 70

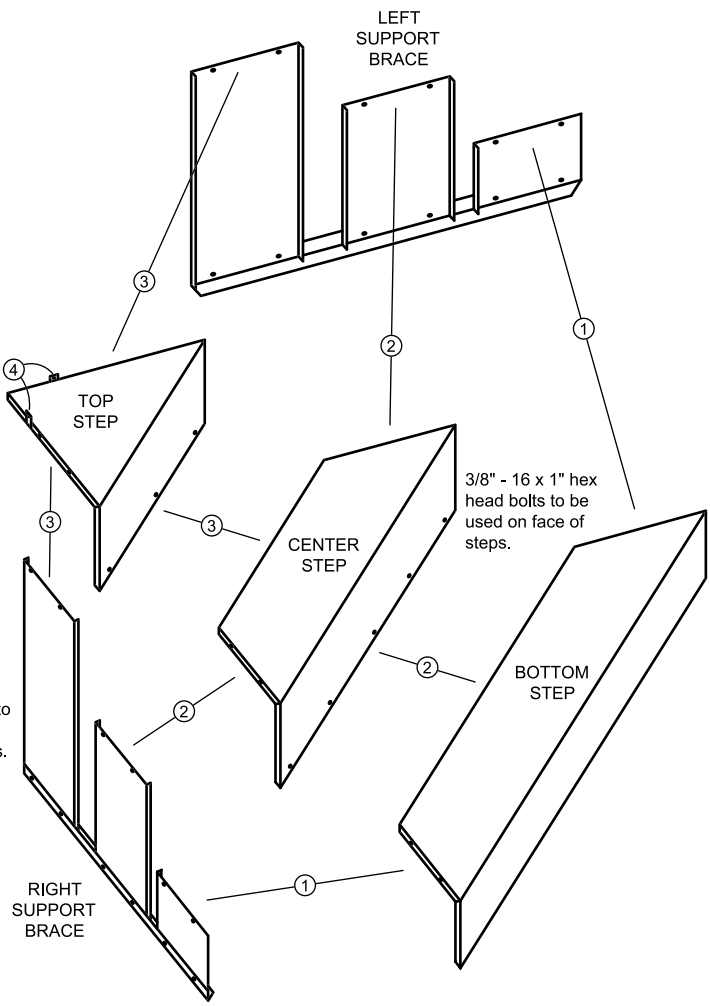
RETRO-STEEL 7' DROP-IN CORNER STAIR



ASSEMBLY INSTRUCTIONS

NOTE: Initially hand tighten all bolts. Once stair is fully assembled, securely tighten all bolts.

- 1) Bolt bottom step to left and right support braces.
- 2) Bolt center step to bottom step and to left and right support braces.
- 3) Bolt top step to center step and to left and right support braces.
- 4) Fasten step to existing pool walls with Tek screws at tabs on the top step.
- 5) Apply duct tape over Tek screws once they are secured.



* Stair rods, nylon stair rod clips and Tek screws are included for the installation of the liner. A 60" stair rod is supplied for the top step. This stair rod will need to be cut in two and sized to the step you are installing it on. Apply duct tape over nylon stair rod clips and Tek screws once they are secured in place.



FILL OUT AND RETURN WITH LINER ORDER FORM

CORNER TYPE

- 90°
- 2 1/4" DIAGONAL
- 6" RADIUS

STAIR LOCATION
(SHALLOW LOOKING DEEP)

- LEFT CORNER
- RIGHT CORNER

**RETRO-STEEL
7' INSIDE
CORNER STAIR**

HEIGHT OF TOP STEP WILL VARY
DEPENDING ON FINISH DEPTH OF
SHALLOW END. TOP STEP MUST BE
MEASURED TO ENSURE PROPER
LINER FIT.

